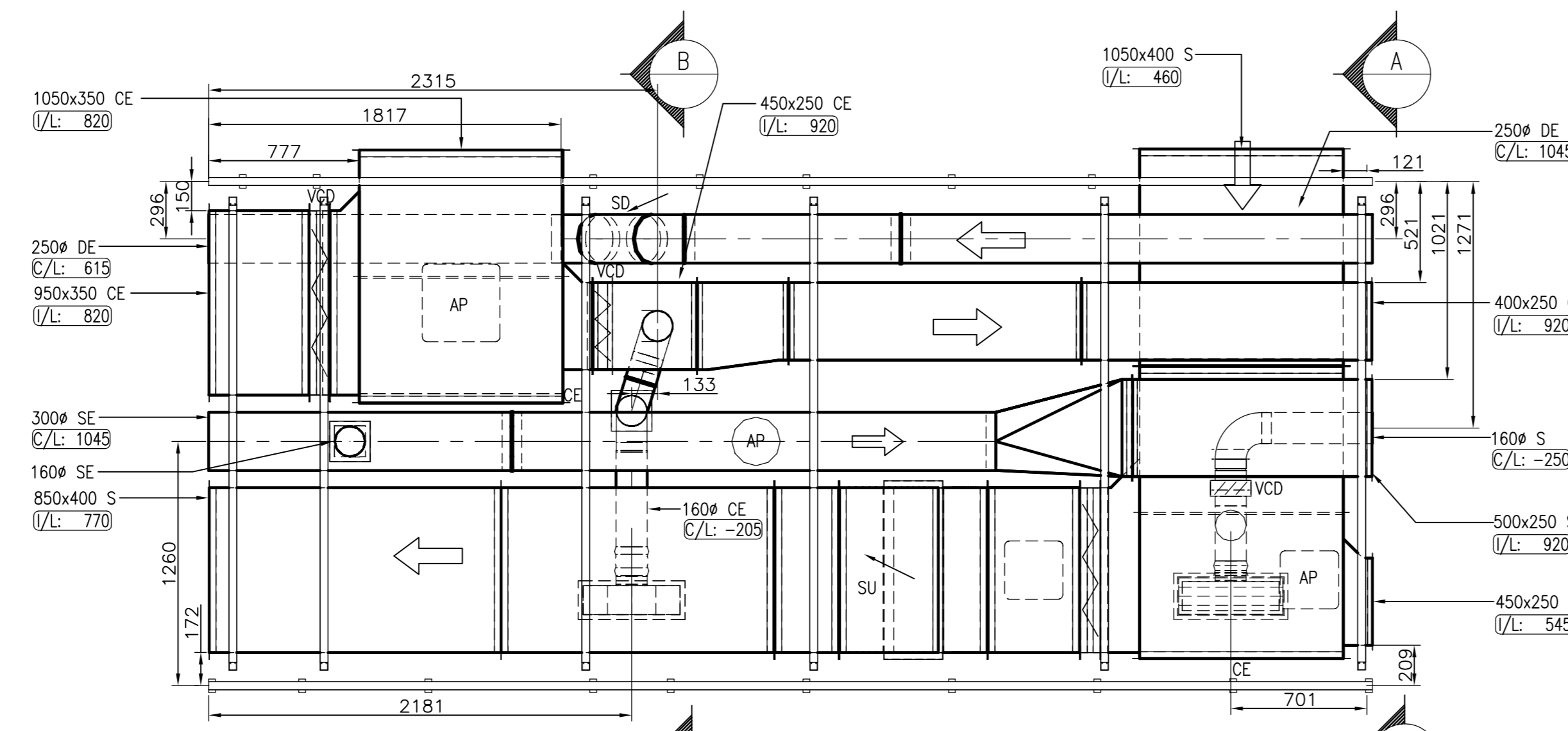
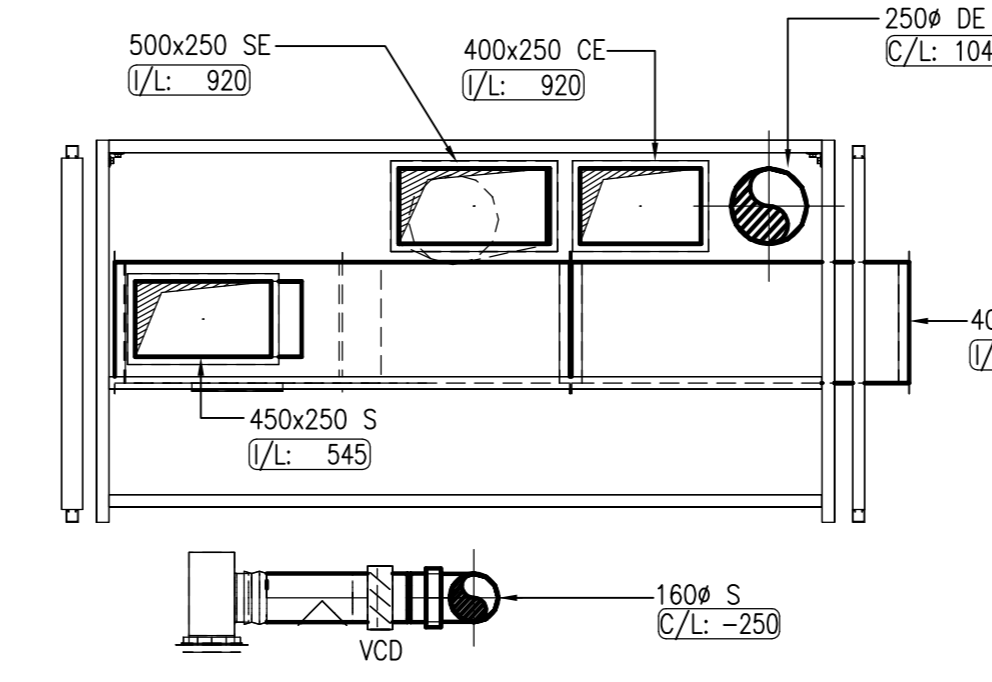


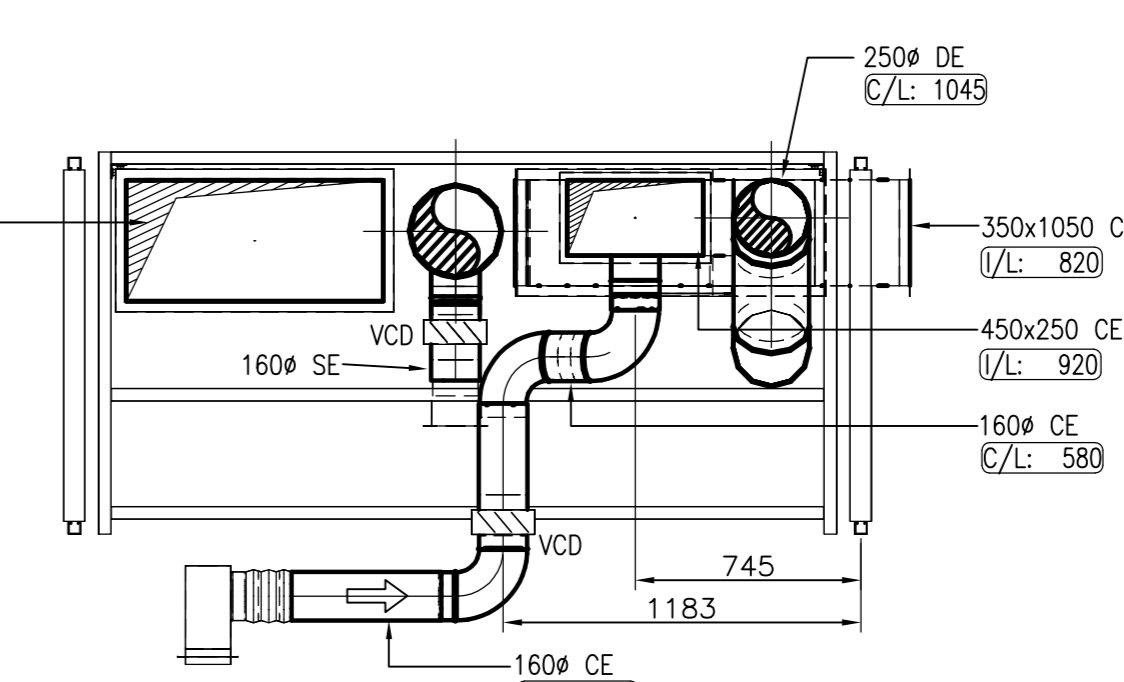
DUCTWORK ISOMETRIC



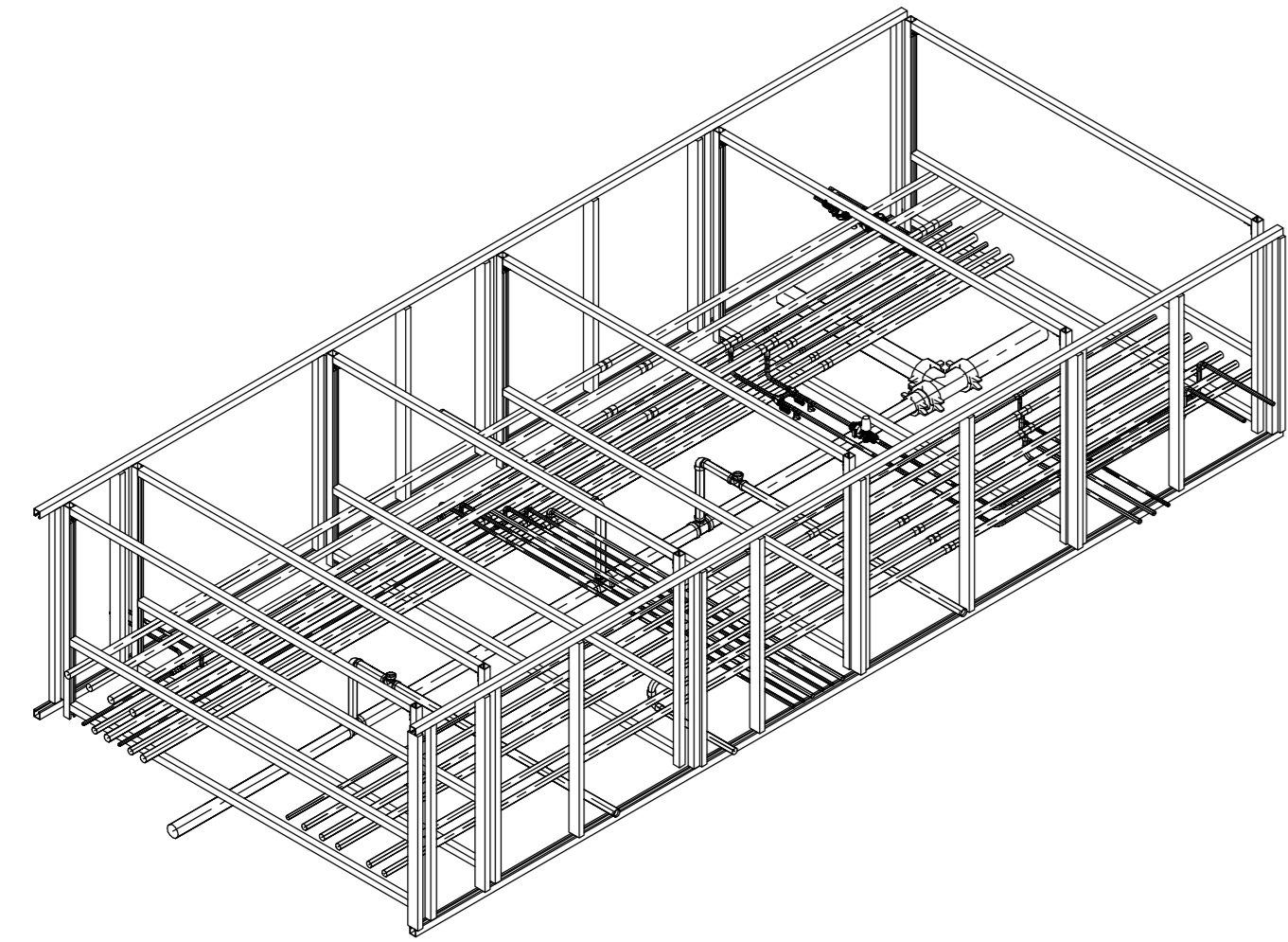
DUCTWORK PLAN



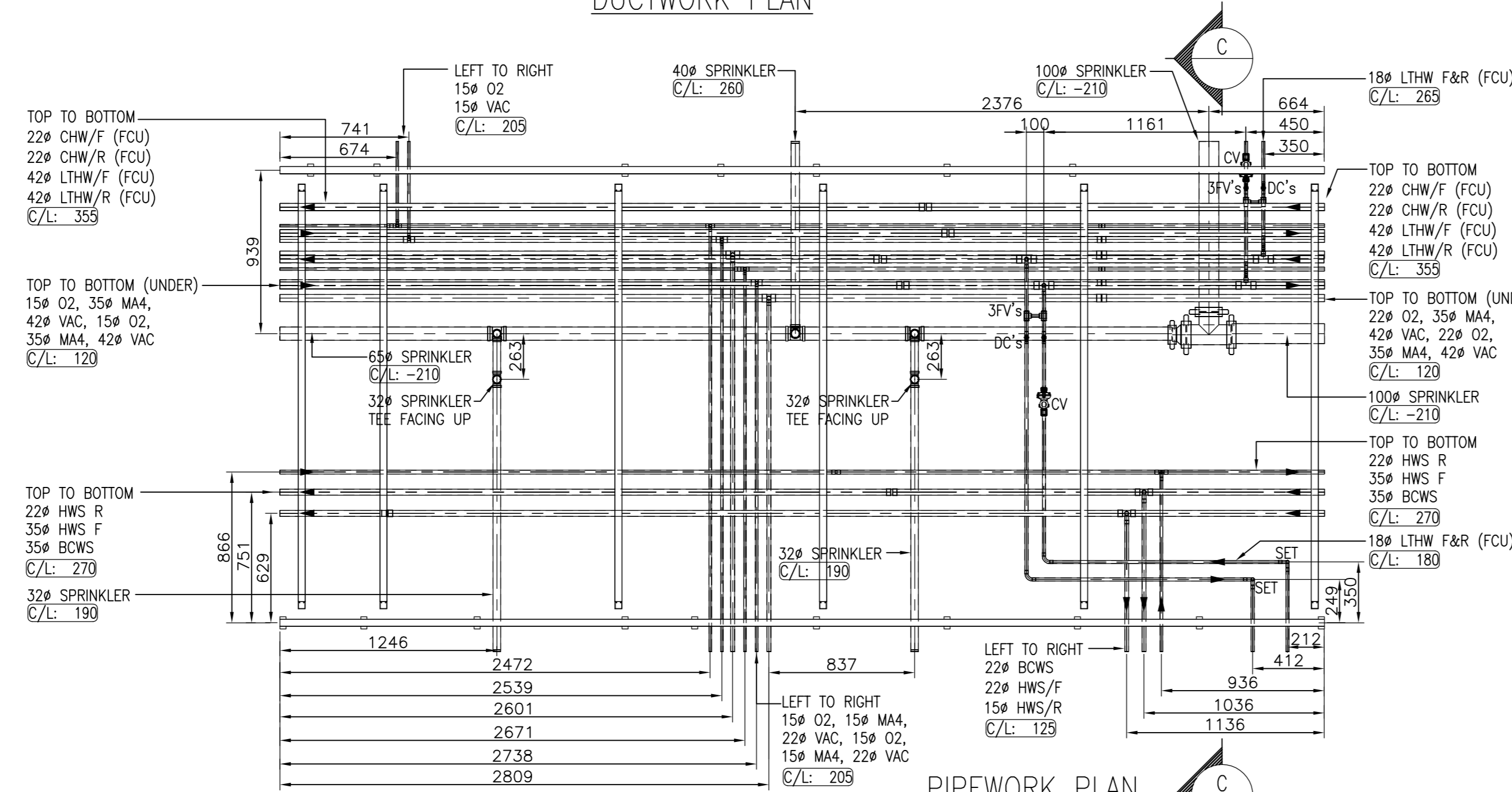
SECTION A-A



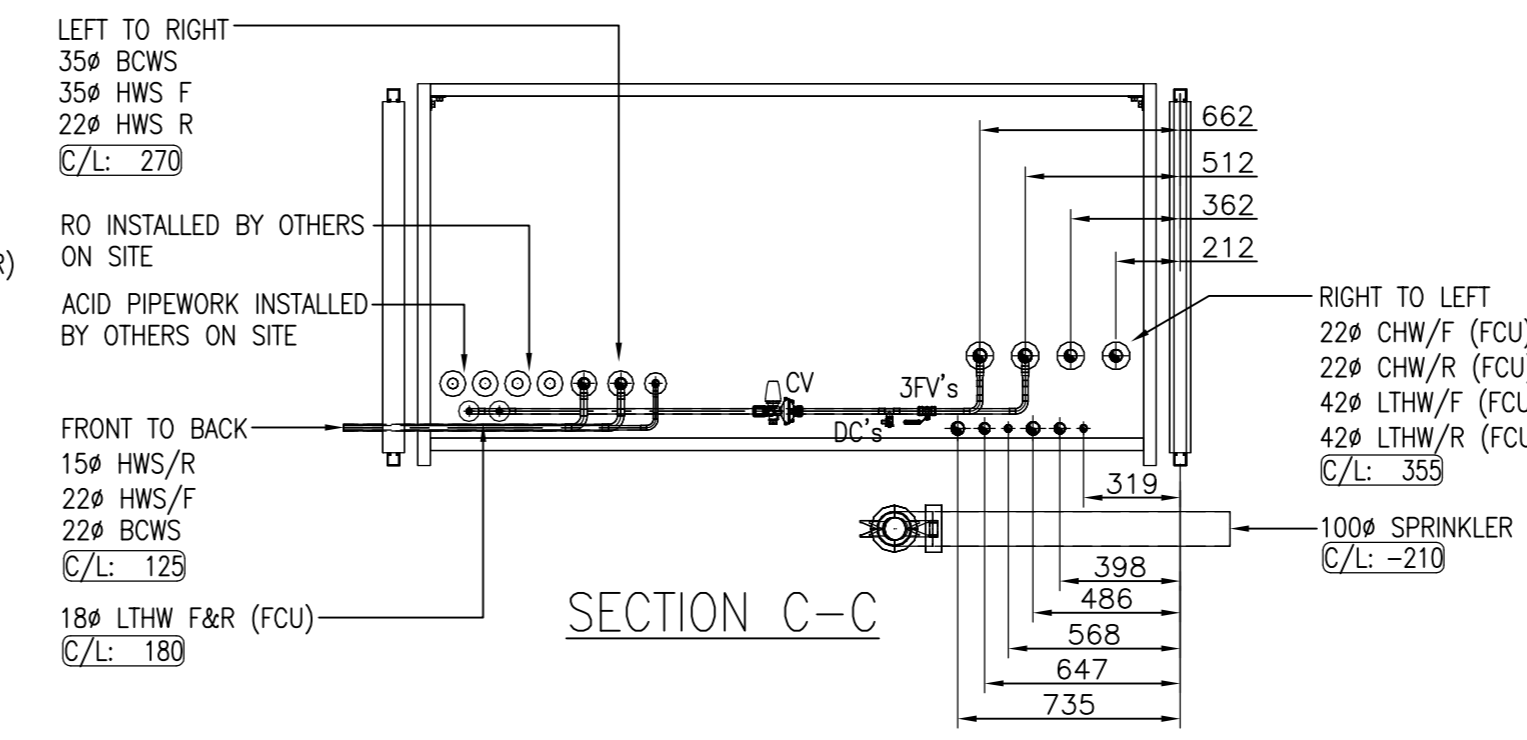
SECTION B-B



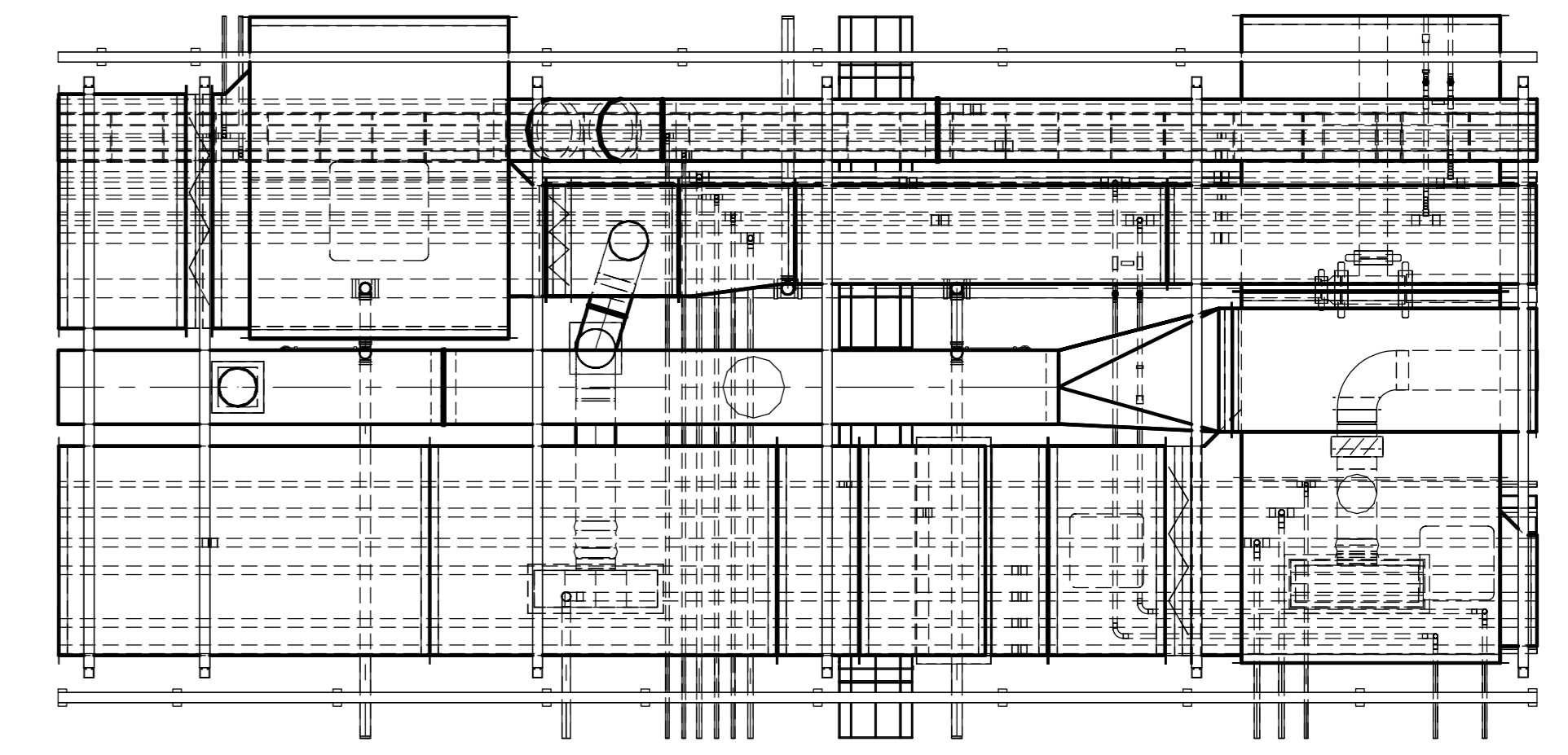
PIPEWORK ISOMETRIC



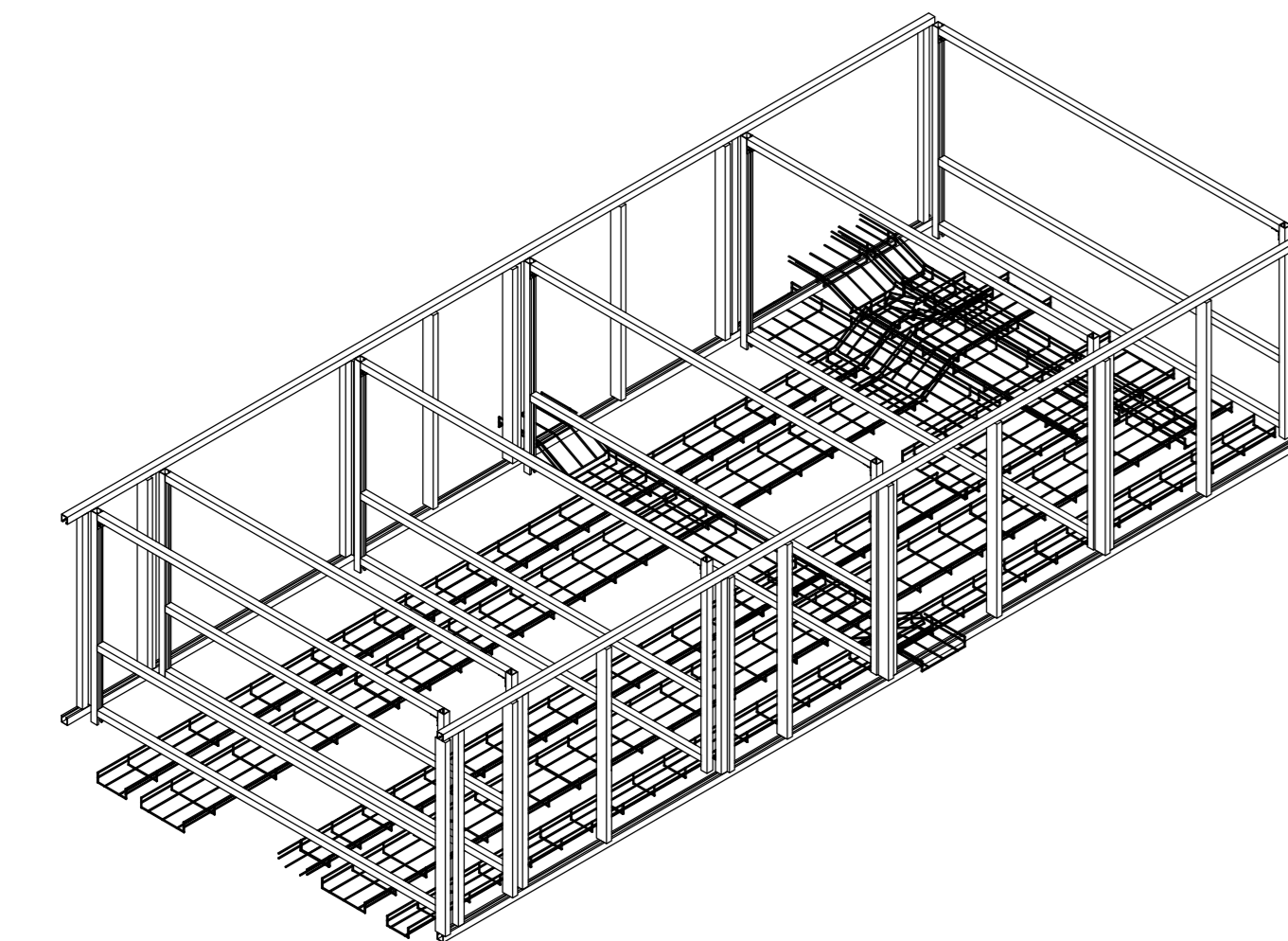
PIPEWORK PLAN



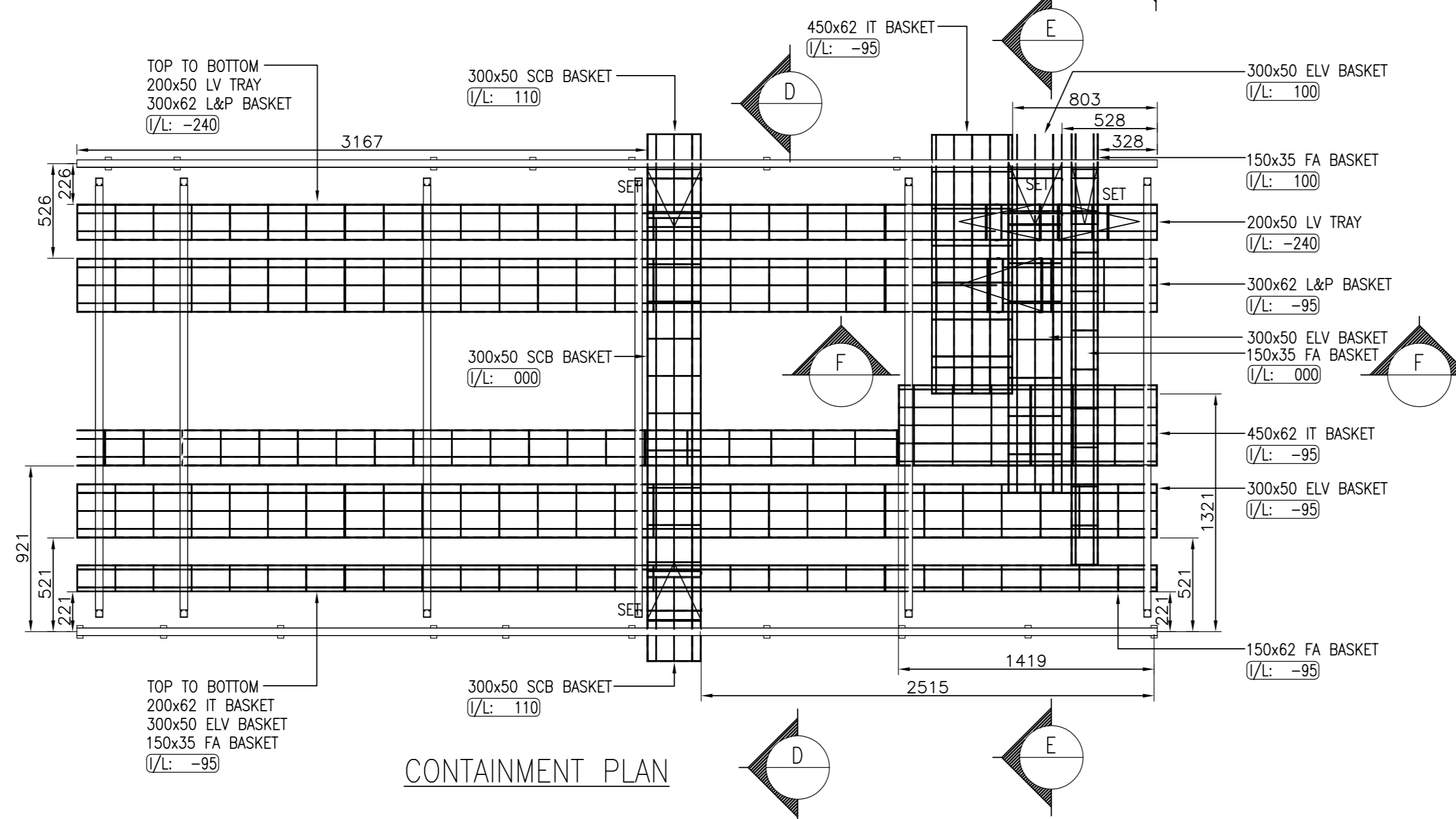
SECTION C-C



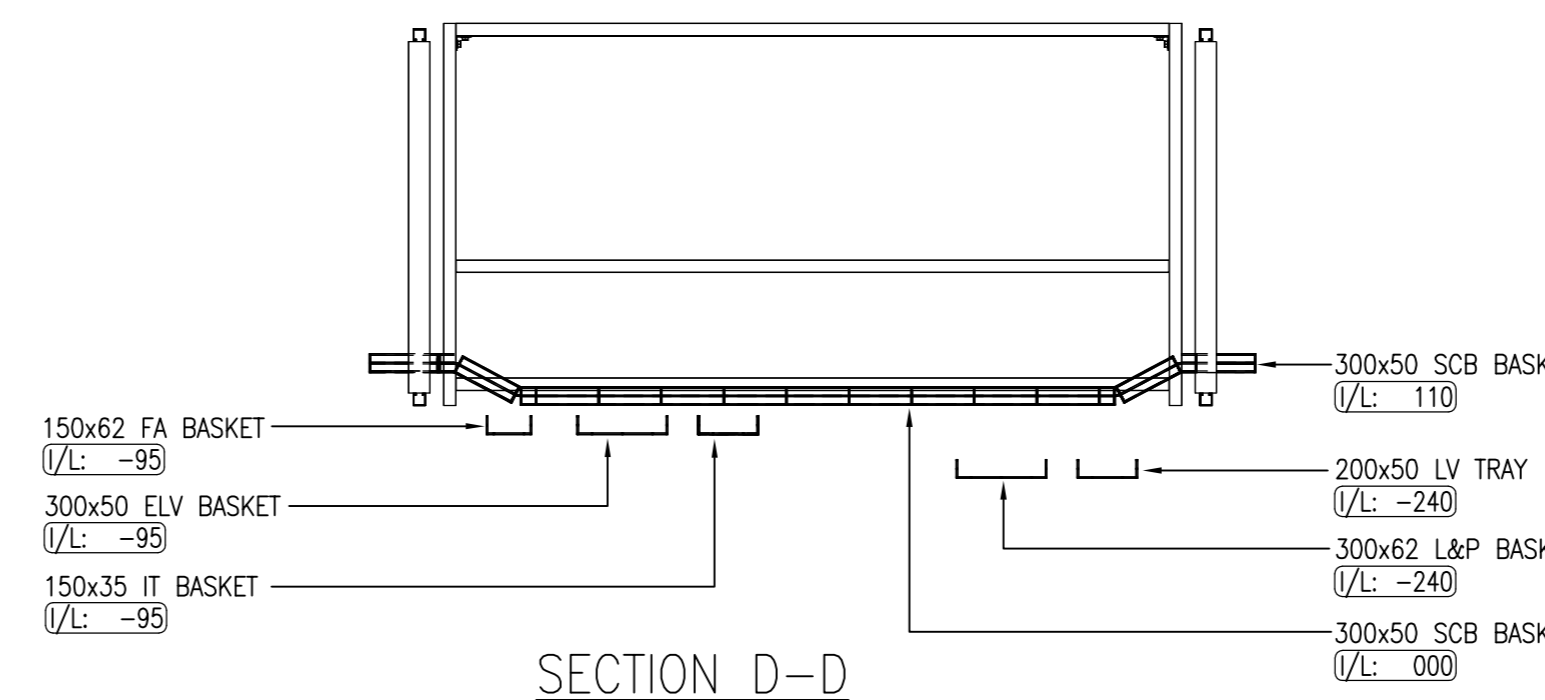
ALL SERVICES PLAN



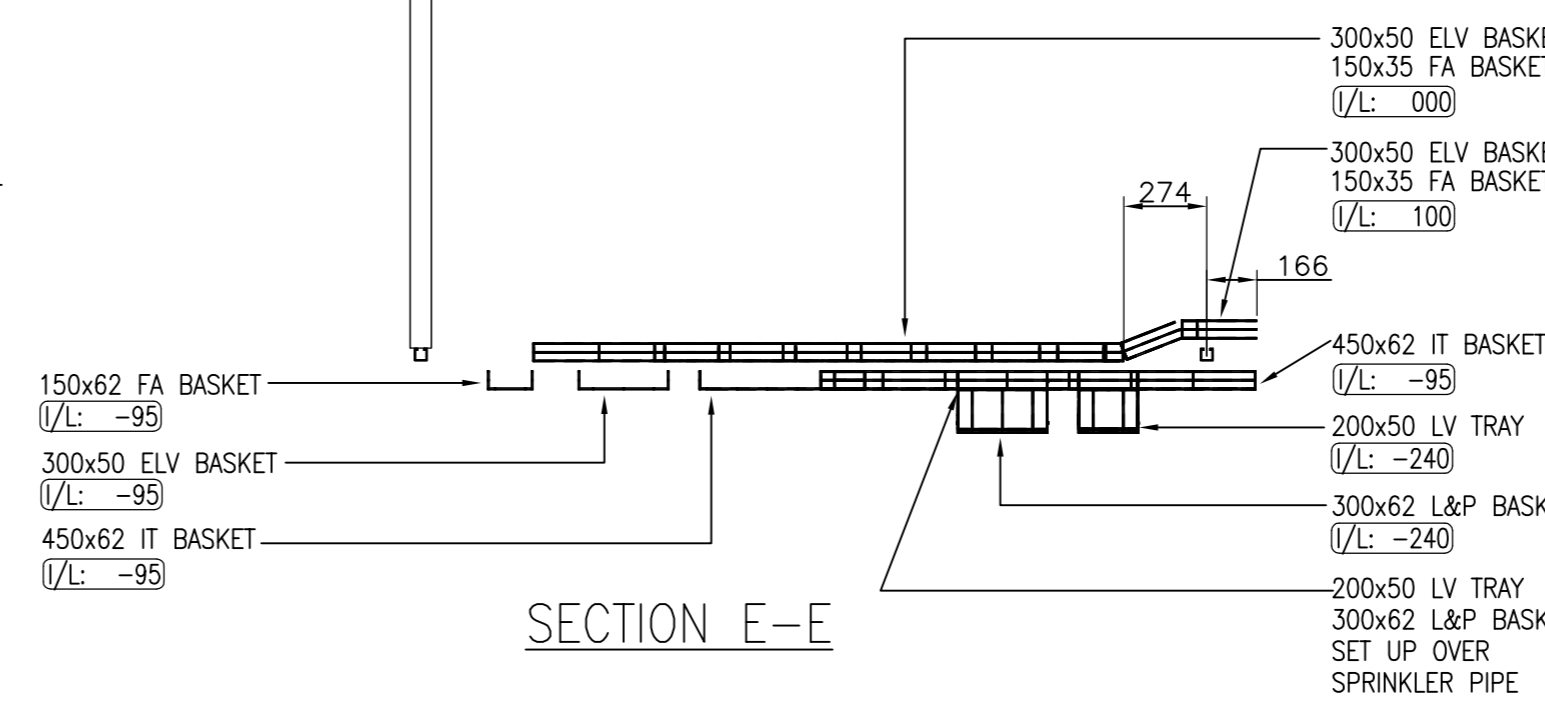
CONTAINMENT ISOMETRIC



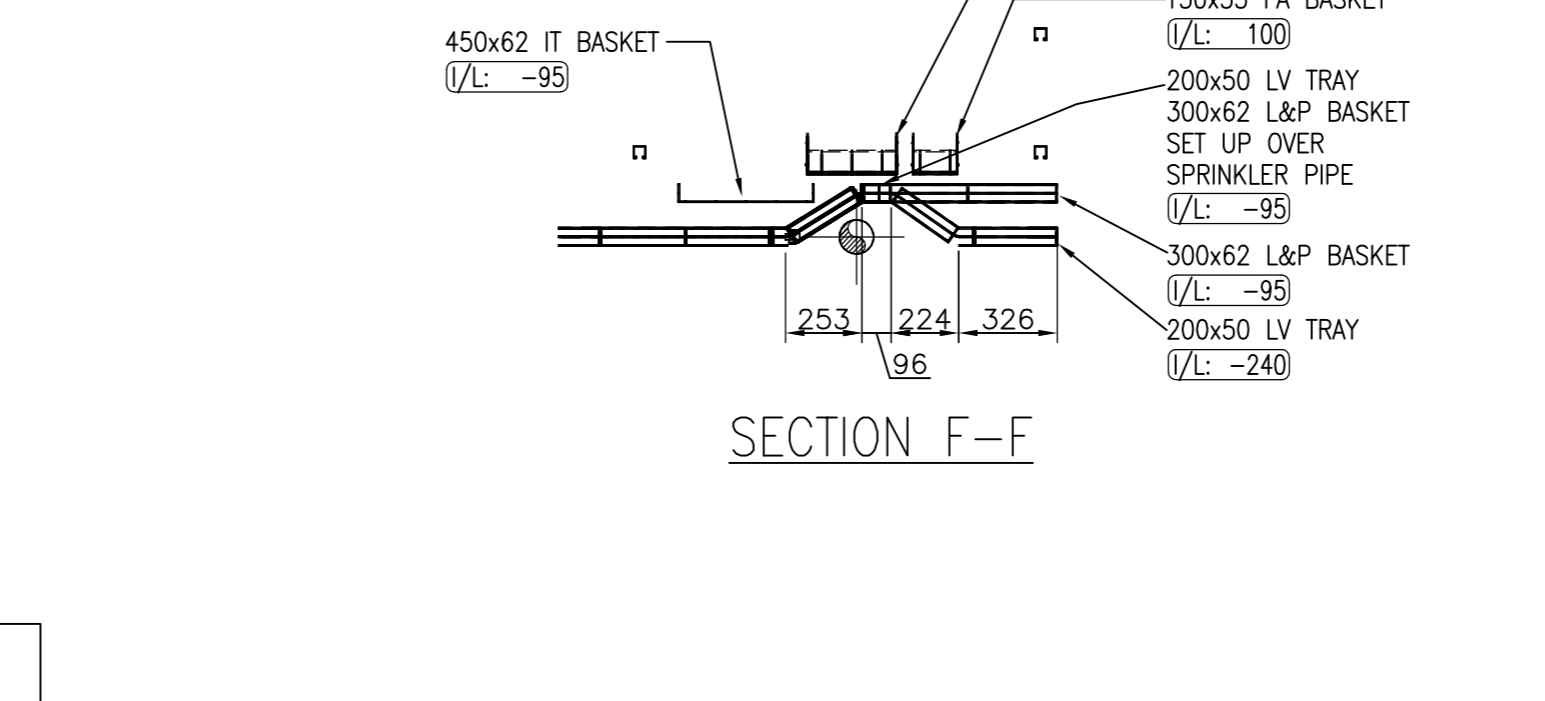
CONTAINMENT PLAN



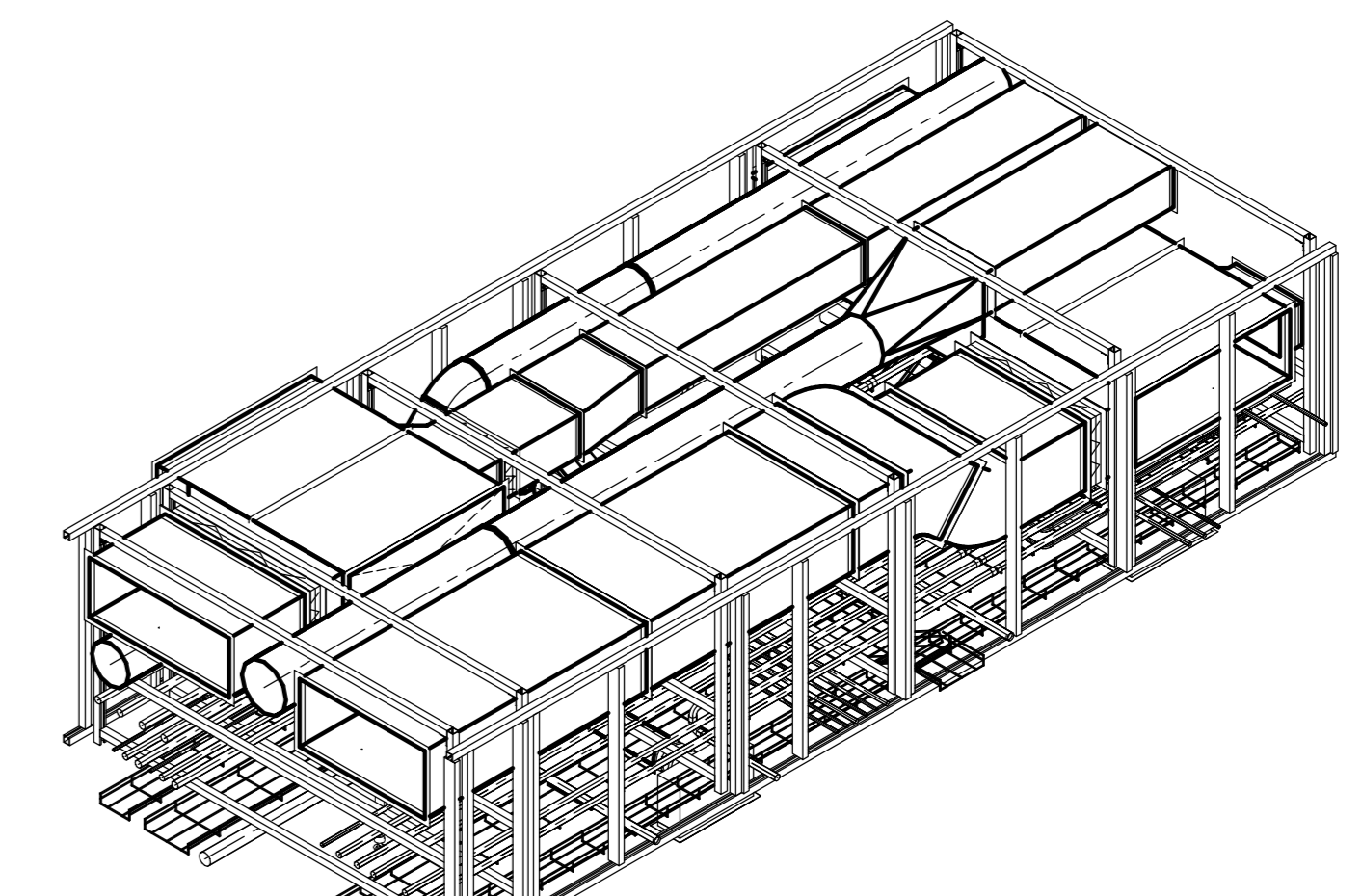
SECTION D-D



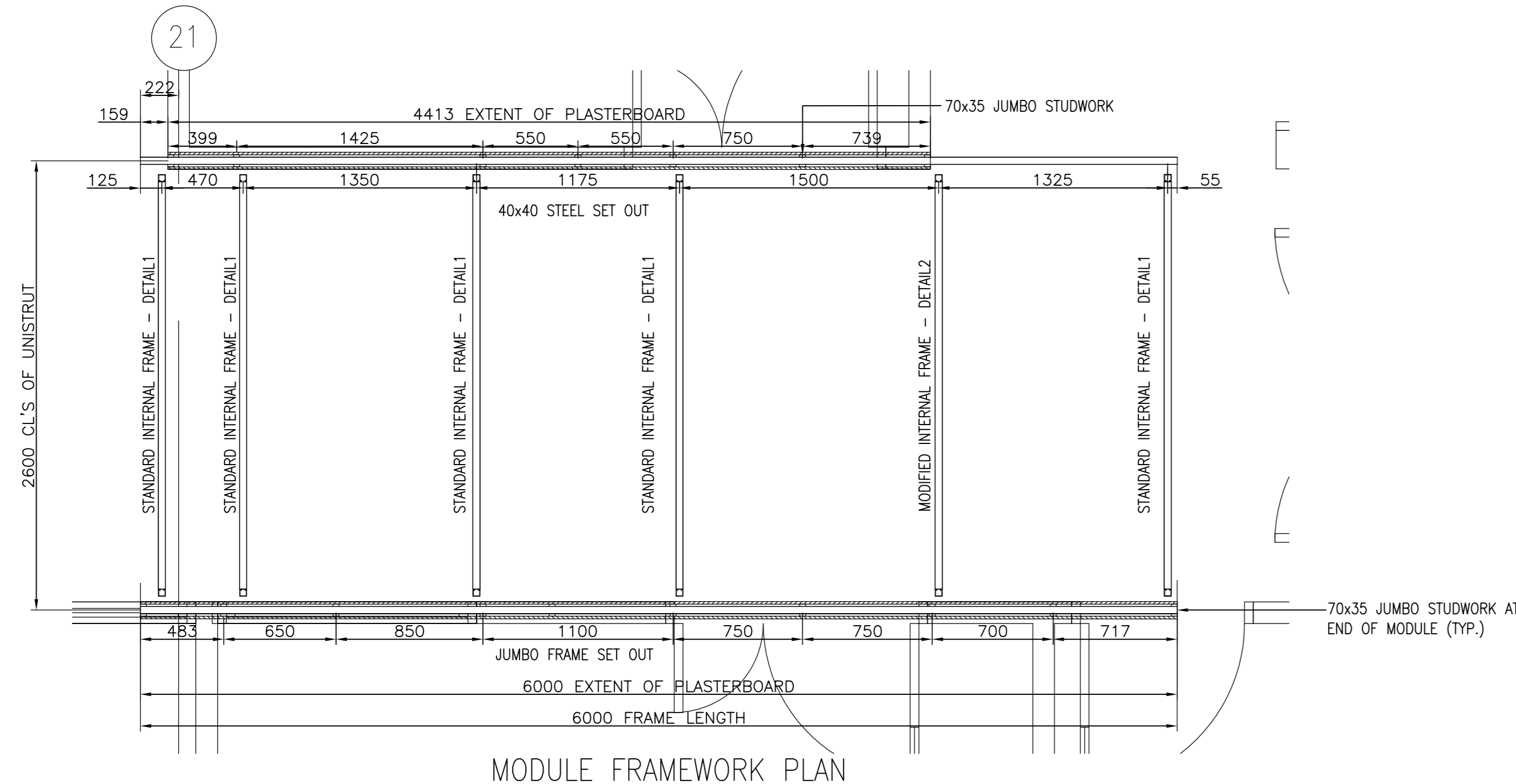
SECTION E-E



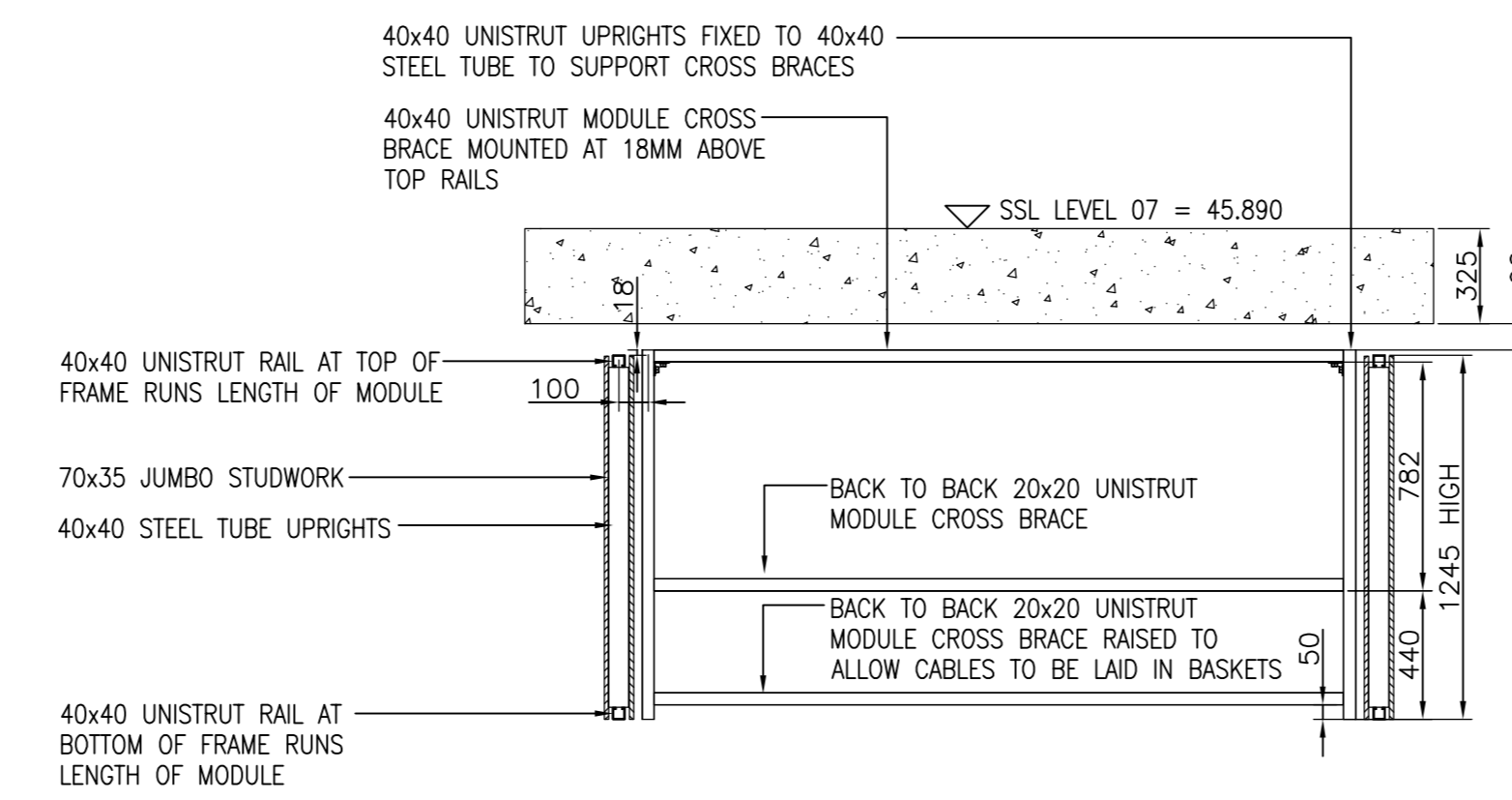
SECTION F-F



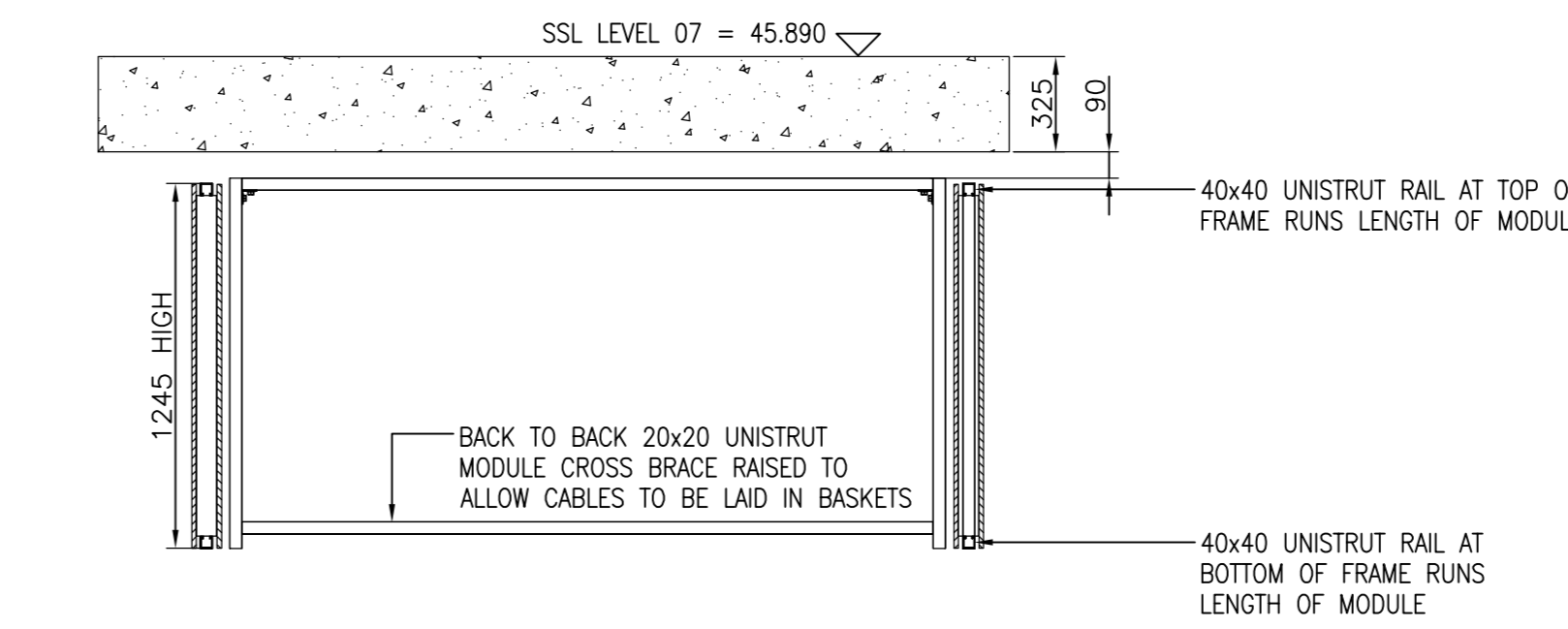
ALL SERVICES ISOMETRIC



MODULE FRAMEWORK PLAN



DETAIL 1
TYPICAL INTERNAL FRAME SET OUT



DETAIL 2
MODIFIED INTERNAL FRAME SET OUT